

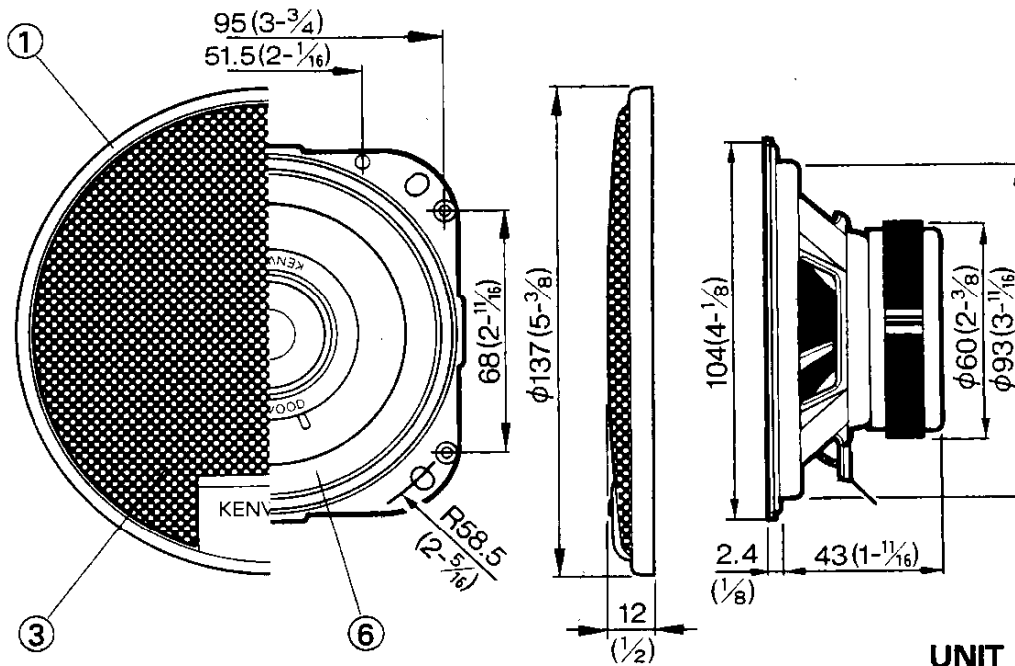
KFC-1064

SERVICE MANUAL

KENWOOD

© 1993-10 PRINTED IN JAPAN
B51-6642-00(O)1722

EXTERNAL VIEW



UNIT : mm (inch)

SPECIFICATIONS

- System 2 way 2 speaker
- Woofer 104mm (4in) Water resistant cone type
- Tweeter 35mm (1-3/8in) Balanced dome type
- Impedance 4 Ω
- Peak input power 50W
- Maximum input power 34W
- Rated input power 17w
- Sensitivity 90dB/W at 1m
- Frequency response 60Hz~20kHz
- Crossover frequency 14kHz
- Dimensions
 - Width 137mm (5-3/8in)
 - Height 137mm (5-3/8in)
 - Depth 55mm (2-3/16in)
 - Mounting depth 43mm (1-11/16in)
- Net weight (PC) W/GR 410g (0.9lb)
- Weight of magnet (Woofer) 100g (3.6oz)

We follows a policy of advancements in development. For this reason specifications may be changed without notice.

PARTS INCLUDED

- ② 3m(10ft) x2
- ④ $\phi 4 \times 20$ (3/16 x 1/16) x8
- ⑤ x8
- ⑤ x1

PARTS LIST

* New parts
Parts without parts **No.** are not supplied.

Ref No.	New parts	Parts No.	Description
①		B06-0744-08	GRILLE
②		E30-5136-08	CORD SET
③		F09-1052-08	PROTECTOR
⑤		J69-0111-08	ADHESIVE TAPE (to fix PROTECTOR)
④		N99-1242-08	SCREW SET
⑥	*	T15-0263-08	SPEAKER